



VBS - Connection and fastening systems



- Junction box system
- Concealed and cavity wall systems
- Cable fastening system
- Cable and pipe fastening systems
- Pipe systems
- Support clamp systems
- Rail systems
- Clap clip systems
- Screw-in and knock-in systems

TBS - Transient and lightning protection systems



- Surge protection, energy technology
- Surge protection, photovoltaics
- Surge protection device for data and information technology
- Protection and spark gaps
- Measuring and test systems
- Equipotential bonding systems
- Earthing systems
- Interception and arrester systems

KTS - Cable support systems



- Mounting systems
- Fastening systems
- Cable tray systems
- Mesh cable tray systems
- Cable ladder systems
- Ladder systems
- Modular systems
- Stainless steel systems

BSS - Fire protection systems



- Insulation
- Escape route installation
- Fire protection duct
- Function maintenance cable tray
- Function maintenance cable ladder
- Function maintenance vertical ladder
- Function maintenance individual routing
- Function maintenance metal duct
- Function maintenance junction boxes
- Anchoring



LFS - Cable routing systems



- Plastic cable trunking
- Metal cable trunking
- Skirting trunking
- Wiring duct, Dahl
- Device installation trunking and duct, 45 mm mounting opening, plastic and aluminium
- Device installation trunking and ducts, 80 mm mounting opening, plastic, aluminium and sheet metal
- Service pole systems
- Device installation systems
- Screw-in and knock-in systems

EGS - Device systems



- Socket systems
- Switching and connection systems
- Data technology systems
- Concealed and surface-mounted adapter system
- Workplace systems
- Industrial and special connector systems
- Energy distribution systems

UFS - Underfloor systems



- Screed-covered duct systems
- Screed-flush duct systems
- On-floor installation trucking systems
- Service units
- Frame cassettes and high-adjustable cassettes
- Installation systems for accessories
- Outlets and complete solutions
- Systems for raised and cavity floors





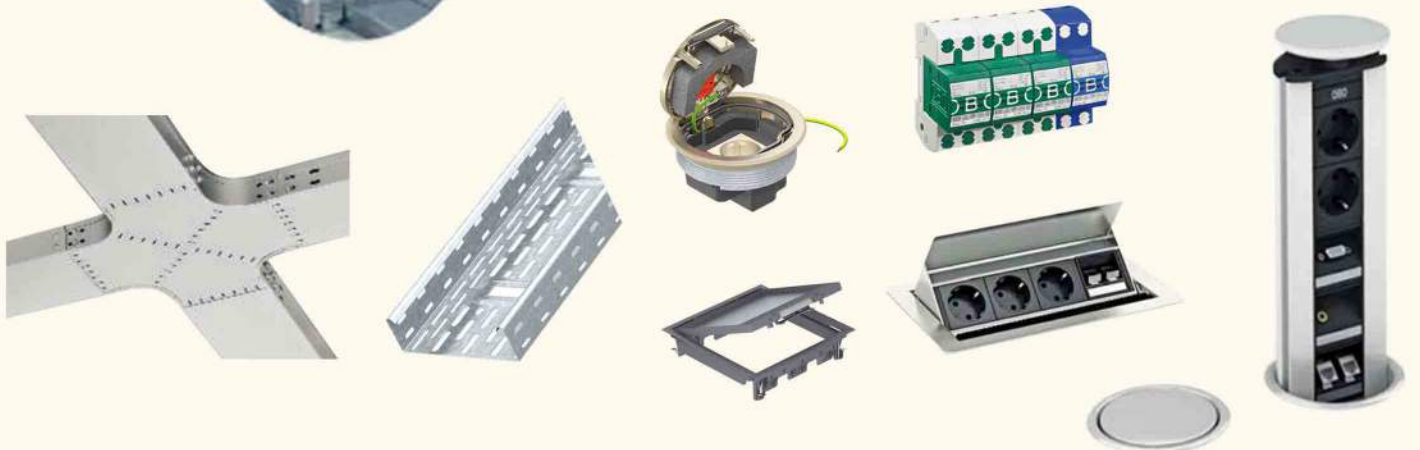
OBO
BETTERMANN

SINCE 1917

KOGO METAL

ELECTRIC INFRASTRUCTURE PRODUCTS !

OVER 30,000 PRODUCTS



Authorized Dealer in Pakistan: 021 3453 5091/2, 0336-2509474, mail@kogo.com.pk